

Same trusted performance and *easy-to-read* level indication as the JERGUSON MAGNICATOR® - in a more ECONOMICAL package

Mini-Magnicator™

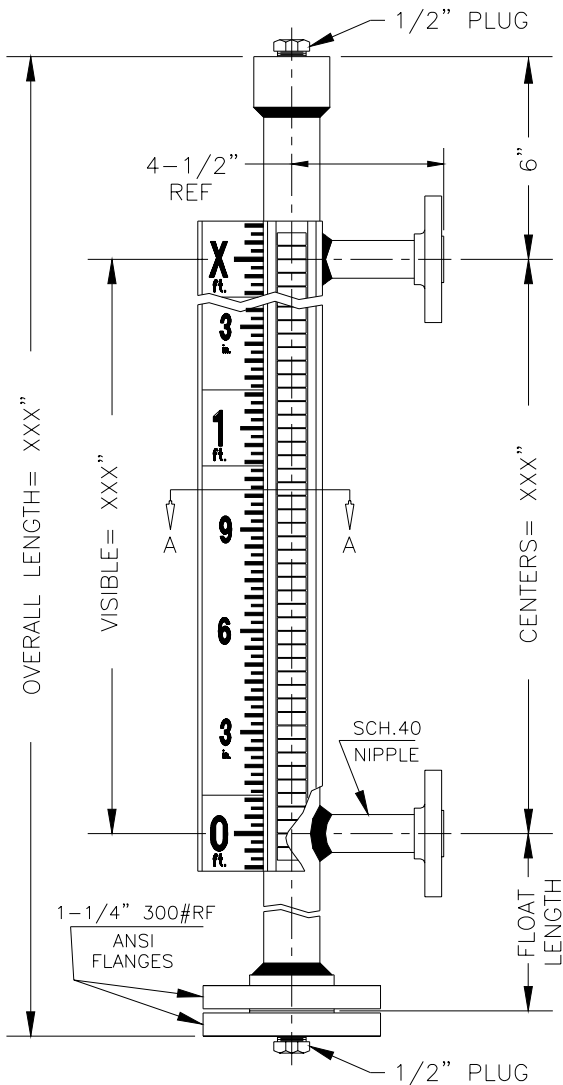
Magnetic Level Gage

- **NO GLASS IN CONTACT WITH PROCESS FLUID**
- **CLEAR VISUAL INDICATION FROM EXTENDED VIEWING DISTANCES**
- **CONSTRUCTION TO ASME B31.1/B31.3**
- **CHOICE OF MOUNTING STYLES**
- **UP TO 300# ANSI RATING**
- **SPECIFIC GRAVITY DOWN TO 0.70**

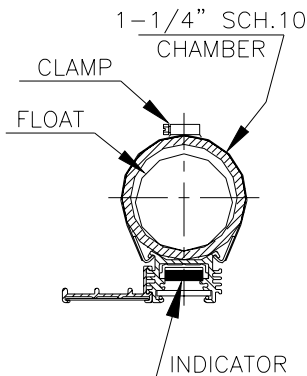


Specifically designed for low pressure, light duty applications, the new Jerguson Mini-Magnicator is a great replacement for fragile tubular glass. The Mini-Magnicator provides the same easy to read level indication as the Jerguson Magnicator, in a smaller more economical package. The Mini-Magnicator utilizes the standard Jerguson latching flag design – 316 stainless steel flags each with a ceramic magnet for maximum reliability.

Mini-MAGNicator™ Magnetic Level Gauge



TOP VIEW



1 1/4" Magnetic Gauge Specifications

Operating Pressure: 400 Psi Max
 Operating Temperature: 500° F
 Fluid Specific Gravity: 0.7 Min

Gauge Styles:

SF - Side Flanged
 ST - Side Threaded
 SW - Side Socket Weld
 EF - End Flanged
 ESF - End/Side Flanged
 EST - End Flanged/Side Threaded
 ESW - End Flanged/Side Socket Weld

Flange Size & Class:

1/2" to 2" RF Flanges – 150# or 300# ANSI

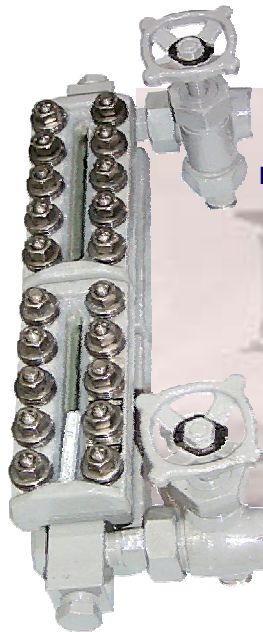
Materials of Construction:

All 304/316 or 304/316 with Carbon Steel Flanges

Visible Range:

12" to 120" (10')

**When Your Applications
 Require Direct Reading
 Level Gauges**



Foremost Selection of Exotic Materials

Largest Chamber Thickness

Recessed Gasket Surface

Stainless Steel Bolting

3-Step Epoxy Coating

Galvanizing Available

Custom Specifications

**JERGUSON®
 Armored Gages**

JERGUSON®

Authorised Distributor:



**NATIONWIDE
 OIL & GAS**

46, Jalan SS 22/21, Damansara Jaya,
 47400 Petaling Jaya, Selangor Darul Ehsan, Malaysia.

Email: nog@nog.com.my

Website: www.nog.com.my