

PENBERTHY

Model Penberthy RST2 Reed Switch Transmitter



How It Works –Reed Switch Transmitter

The RST2 combines precision and simplicity with two main components: the Sensor and Transmitter. The sensor features a chain of magnetic reed switches and resistors inside rugged stainless steel tubing. As the float moves with liquid level changes, it triggers the reed switches, generating a varying resistance signal. The RST2 Transmitter interprets this signal and outputs a 4–20 mA signal proportional to the liquid level—delivering reliable, real-time monitoring for your system.

Penberthy PMG RST2 Reed Switch Transmitter



Key Features

- **Zero Contact with Process** – Ensures safe, reliable operation without direct exposure.
- **Effortless Installation** – Installs quickly without taking the Penberthy PMG offline.
- **Explosion-Proof and Water-Tight** – Engineered for the most demanding environments.
- **Certified Safety Classes** – Available in CL.1 GR. B, C, D–CL.II GR. E, F, G for peace of mind.
- **RFI Interference Resistant** – Maintains accurate readings even in high-noise environments.
- **Flexible Wiring Options** – Choose from 2, 3, or 4 wire configurations to suit your setup.
- **Optional 3 ½" LCD Display** – Provides intuitive, at-a-glance monitoring.
- **4–20 mA Loop Power** – Standard industrial output for seamless integration.



PENBERTHY
 Model Penberthy RST2 Reed Switch Transmitter

Authorised Distributor:



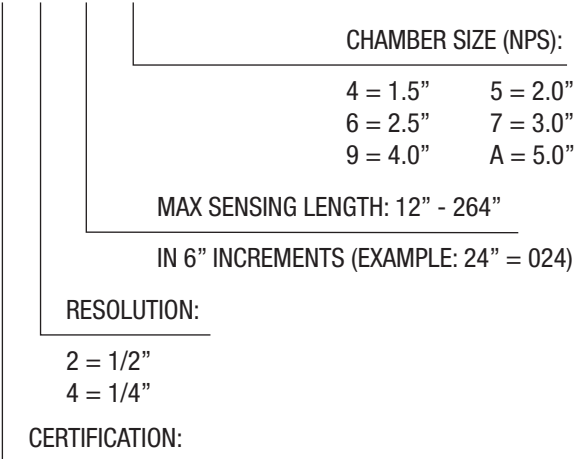
46, Jalan SS 22/21, Damansara Jaya,
 47400 Petaling Jaya,
 Selangor Darul Ehsan, Malaysia.
 Email: nog@nog.com.my
 Website: www.nog.com.my



Ordering Information

Part Number Designation

RST2 ## # ### #



UC = CLASS I, DIV 1 APPROVED (US/CAN)

Specifications

RST Sensor

Length: Up to 20 Feet (6 meters)
 Resolution: 1/2 inch (13mm)
 Housing: Stainless Steel
 Operating Temp.: to 500°F (Process Temp.) (260°C)

RST Transmitter

Output Limits: 3.8mA to 26 mA
 Amb. Temp. Range: -20°F to 180°F (-29°C to 82°C)
 Response Time: 300 ms
 Housing: Proof and water tight
 Epoxy powder coat finish
 NEMA 4X and NEMA 7X
 CL. 1 GR. B,C,D-CL. II GR. E,F,G
 UL Standard: 1203
 FM Standard No. 3615
 CSA Standard C22.2 No. 30

Power Requirements

2-Wire Loop Powered 24 VDC nominal, 50 VDC Max.
 3-Wire Low Power 8 VDC to 36 VDC @ 6 mA
 4-Wire AC Power 115 VAC-Standard
 230 VAC-Optional